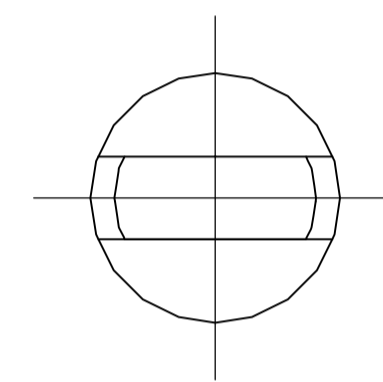
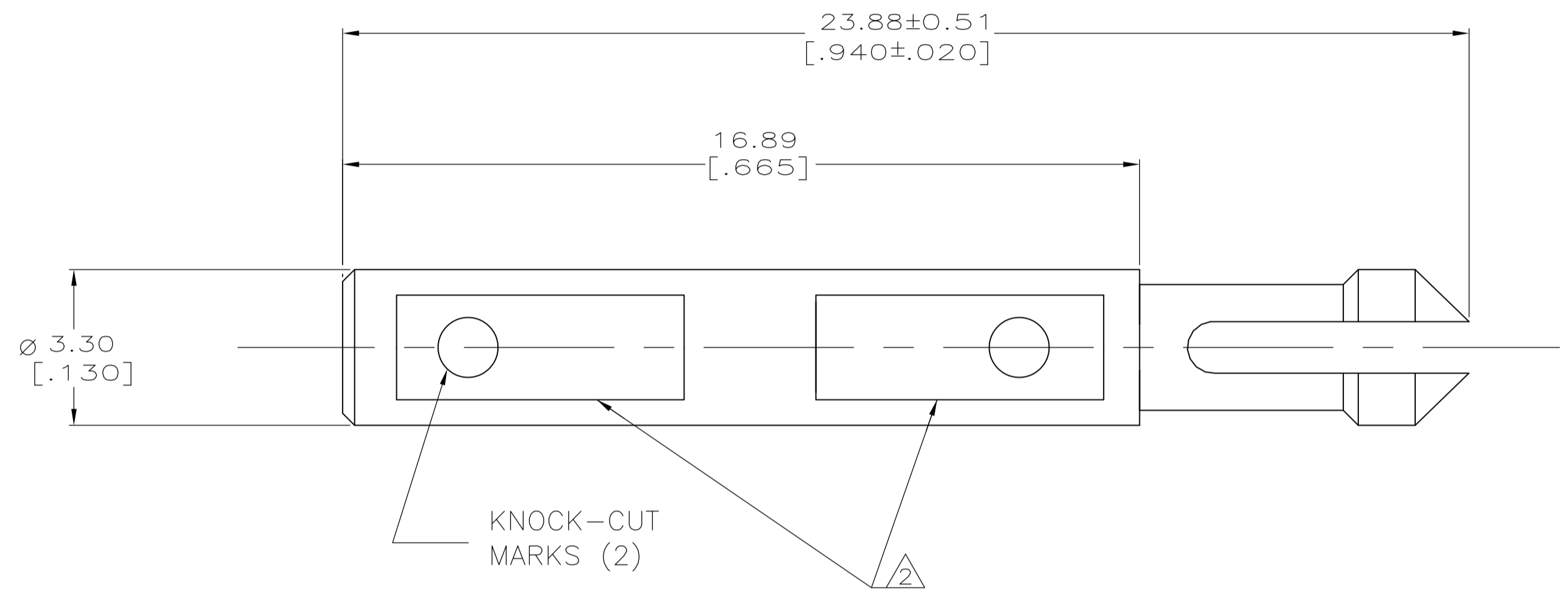
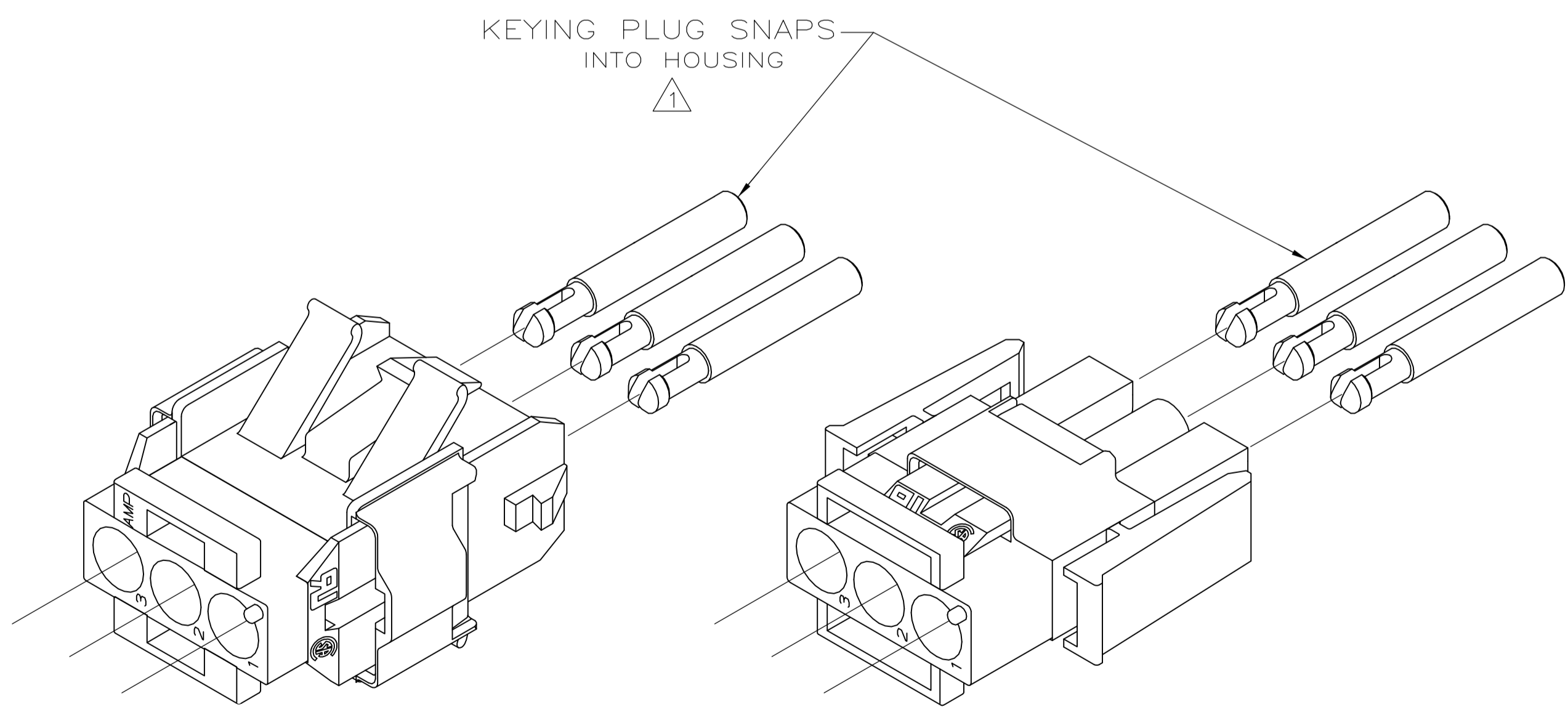


LOC	DIST	REVISIONS			
CM	53	REV	DATE	BY	APP'D
		D	REVISED PER ECR-11-002201	03FEB11	HMR TM



- 1 TO BE USED WITH UNIVERSAL MATE-N-LOK™ II PLUGS AND CAPS.
- 2 AMP LOGO EITHER LOCATION.
- 3 DIMENSIONS IN BRACKETS ARE IN INCHES.



APPLICATION DETAIL
SCALE 2:1

770377-1
PART NUMBER

THIS DRAWING IS A CONTROLLED DOCUMENT.		DWG K. SALMON	6-18-92	Tyco Electronics Corporation Harrisburg, PA 17105-3608
		CHK R. SWING	6-18-92	
DIMENSIONS: mm [INCHES]		APP'D M. TRULL	6-24-92	NAME KEYING PLUG, UNIVERSAL MATE-N-LOK™ II
TOLERANCES UNLESS OTHERWISE SPECIFIED:		PRODUCT SPEC		APPLICATION SPEC
0. PLC ± -		APPLICATION SPEC		RESTRICTED TO
1. PLC ± -		WEIGHT		SCALE 10:1
2. PLC ± -		A1 00779 C=770377		SHEET 1 OF 1
3. PLC ± 0.13 [.005]		CUSTOMER DRAWING		REV D
4. PLC ± -				
ANGLES ± -				
MATERIAL NYLON,UL94V-0				
FINISH				